









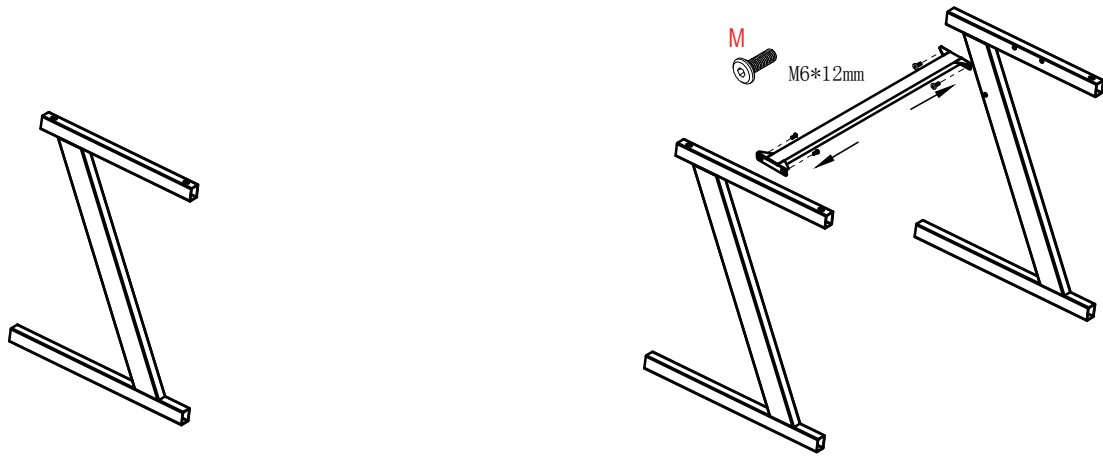


GAMING DESK WITH RGB LEDS

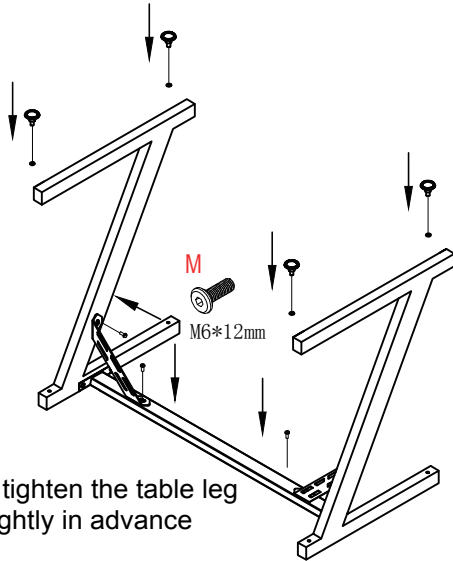
Installation Guide

Model No.: D2126

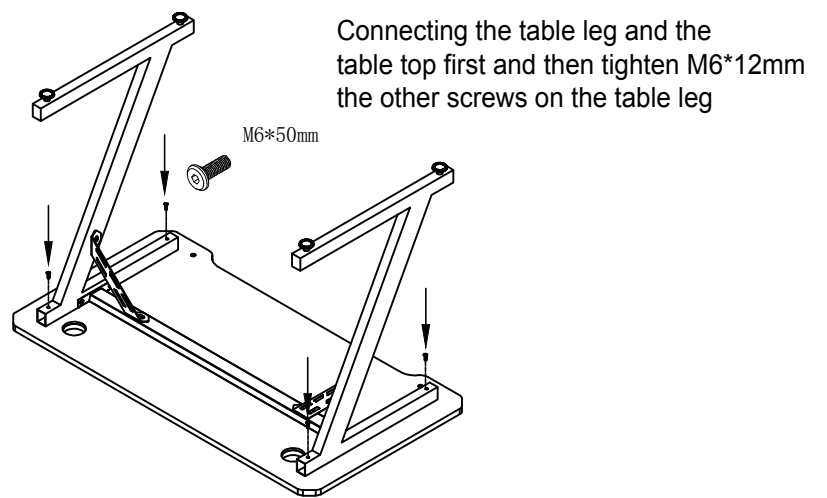
 M6*1PCS	 M6*12 (8PCS)	 2PCS	 M6*12 (2PCS)	 2PCS
 M6*50 (4PCS)	 1Set	 1Set	 4PCS	 2PCS



1. Put the single foot

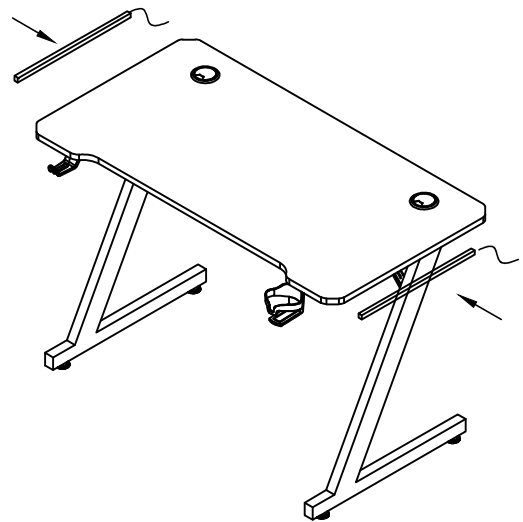
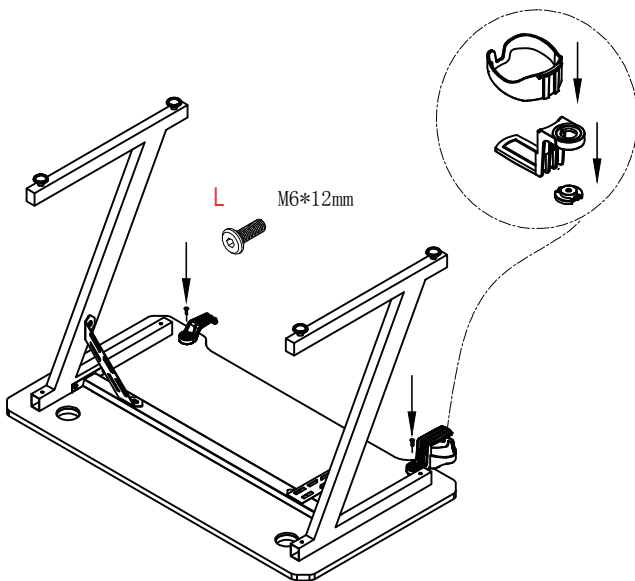


2. The single foot is connected with the tie rod with screws



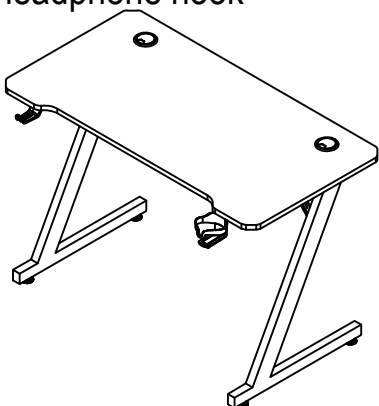
3. Installation the screws and adjusting foot

4. The shelf is turned upside down to connect with the pane



5. Installation the cup holder and headphone hook

6. Installation the RGB Light on the both side of legs



7. Installation is completed